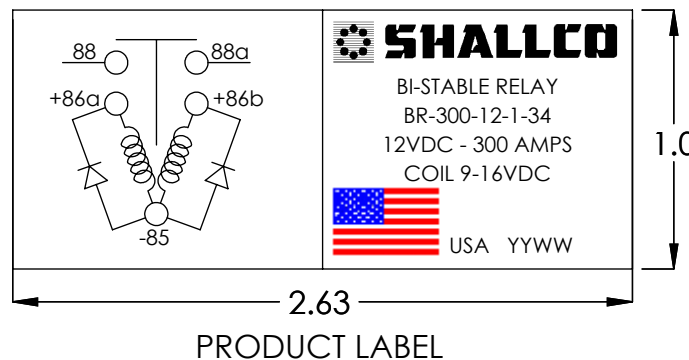
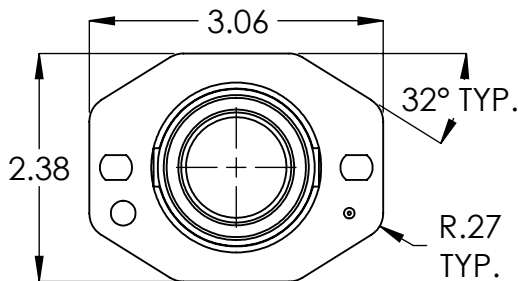
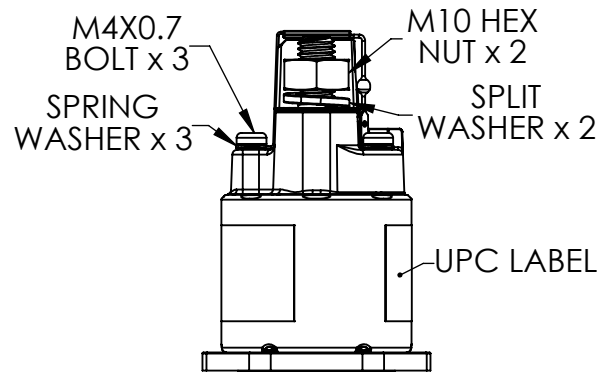
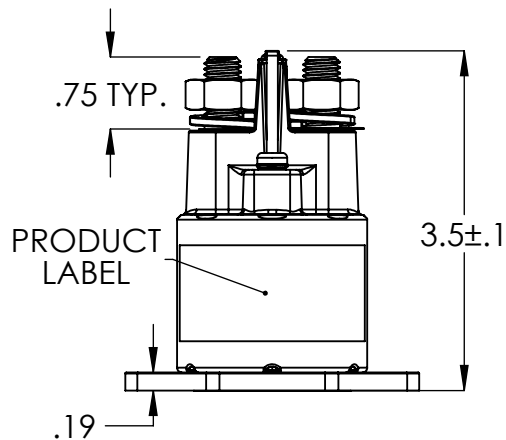


DETAIL SHOWN ABOVE ACTUAL SIZE



UPC BARCODE



308 COMPONENTS DRIVE, SMITHFIELD, NC 27577 USA

DO NOT SCALE DRAWING

TITLE: **BI-STABLE RELAY  
12VDC-300AMP  
W/HARDWARE & DIODES**

BLANK WEIGHT: - PART WEIGHT: 1.2 LBS

SIZE **A** DWG. NO. **BR-300-12-1-34** REV. **A**  
SHEET 1 OF 2

SCALE: 1:2 FILENAME: BR-300-12-1-34

|  |      |        |
|--|------|--------|
|  | NAME | DATE   |
| DRAWN  | JRT  | 5-8-19 |
| CHECKED  |      |        |
| ENG APPR.  | RMF  | 5-8-19 |
| MFG APPR.  |      |        |
| Q.A.   |      |        |
| DIMENSIONS ARE IN INCHES<br>TOLERANCES:<br>FRACTIONAL ±1/32<br>ANGULAR: MACH ±1.0 BEND ±<br>TWO PLACE DECIMAL ±.010<br>THREE PLACE DECIMAL ±.005 |      |        |

**PROPRIETARY AND CONFIDENTIAL**

This document contains proprietary data for products designed by Shallco, Inc., of Smithfield, NC. No disclosure, reproduction, or use of any part thereof maybe made except by written permission.

|      |             |      |       |      |             |      |       |
|------|-------------|------|-------|------|-------------|------|-------|
| REV. | DESCRIPTION | DATE | APP'D | REV. | DESCRIPTION | DATE | APP'D |
|      | REVISIONS   |      |       |      | REVISIONS   |      |       |

## Bi-Stable Relay Technical Data

Temperature range: -40 C to +85°C  
 -40°F to +185°F  
 Max. Altitude rating: 50,000 ft.  
 Seal: IP67: IEC 60529  
 Shock: 6g, 11ms, Saw Tooth  
 Vibration: SAE J1455, Appendix A Cat. 2,  
 4g - 10Hz-2000Hz

## Electrical Characteristics

Min. Insulation Resistance: 100 MΩ  
 Dielectric withstanding voltage: 1025 V / 1 min.  
 Max. Contact drop, initial: 150 mV  
 (CTQ <0.0009 VDC @ 24 VDC 1AMP, MAX)  
 Duty rating, Continuous: 300 A

## Rated Contact Load 12 VDC

Resistive load: 50,000 cycles 300 A  
 Inductive load: 10,000 cycles 150 A  
 Motor load: 50,000 cycles 300 A  
 Bounce: ≤ 5 ms  
 Break: ≤ 5 ms

## Coil Data 12 VDC

Nominal voltage: 12 VDC  
 Voltage range: 9-16 VDC  
 (CTQ @ 7VDC)  
 Pull closed coil resistance: 1.92 Ω, ± 10%  
 Pull open coil resistance: 2.38 Ω, ± 10%  
 \*Minimum Pulse Length: 100ms\*  
 \*Maximum Pulse Length: 400ms\*  
 \*Max. operations per minute: 6 (Momentary Pulse)\*

**PROPRIETARY AND CONFIDENTIAL**  
 This document contains proprietary data for products designed by Shallco, Inc., of Smithfield, NC. No disclosure; reproduction, or use of any part thereof may be made except by written permission.

|           | NAME | DATE   |
|-----------|------|--------|
| DRAWN     | JRT  | 5-8-19 |
| CHECKED   |      |        |
| ENG APPR. | RMF  | 5-8-19 |
| MFG APPR. |      |        |
| Q.A.      |      |        |

**SHALCO**  
 308 COMPONENTS DRIVE, SMITHFIELD, NC 27577 USA  
 DO NOT SCALE DRAWING

TITLE:  
**BI-STABLE RELAY  
 12VDC-300AMPS  
 W/HARDWARE & DIODES**

|           |                                |               |
|-----------|--------------------------------|---------------|
| SIZE      | DWG. NO. <b>BR-300-12-1-34</b> | REV. <b>A</b> |
| <b>A</b>  | SHEET 2 OF 2                   | <b>A</b>      |
| SCALE:1:2 | FILENAME: BR-300-12-1-34       |               |

DWG NO: BR-300-12-1-34